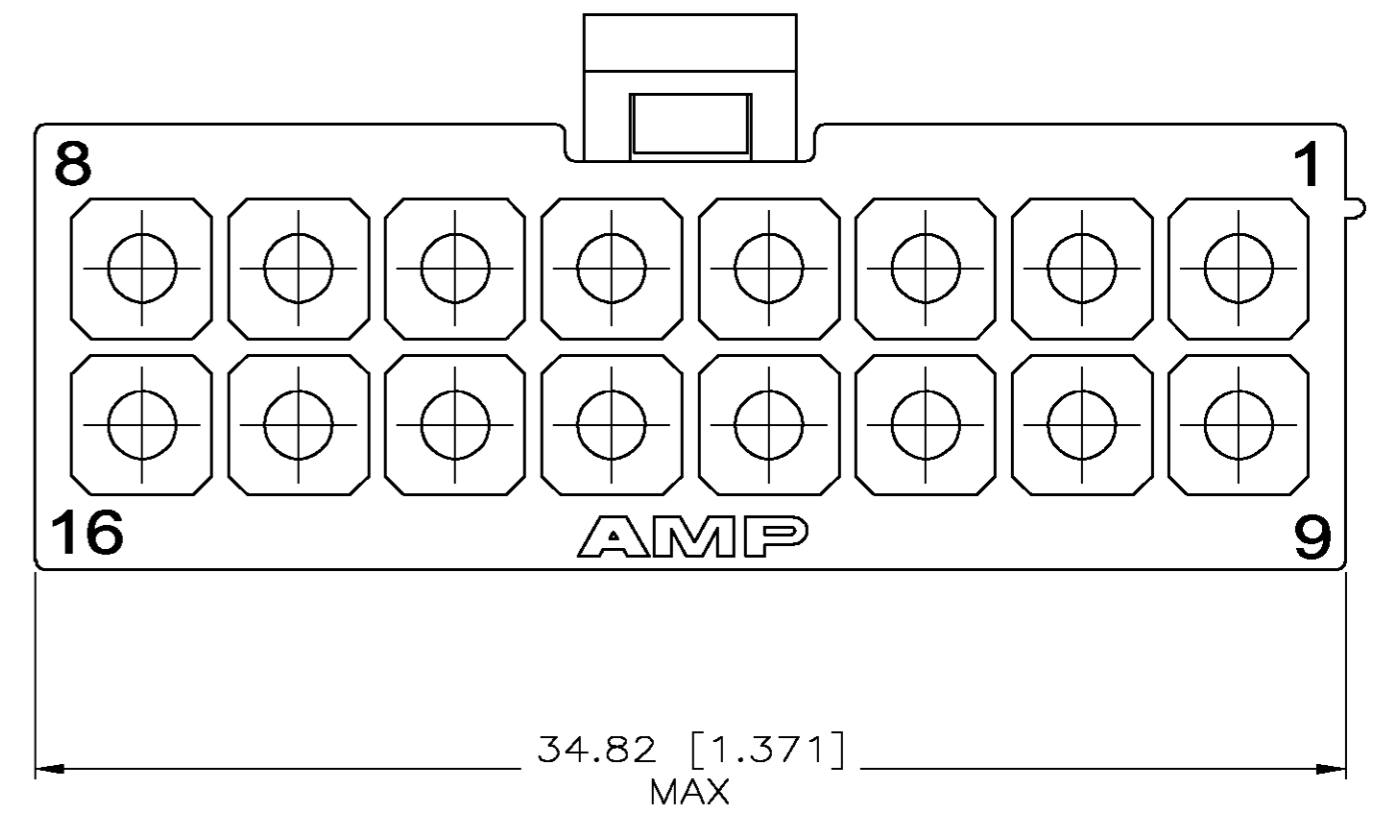
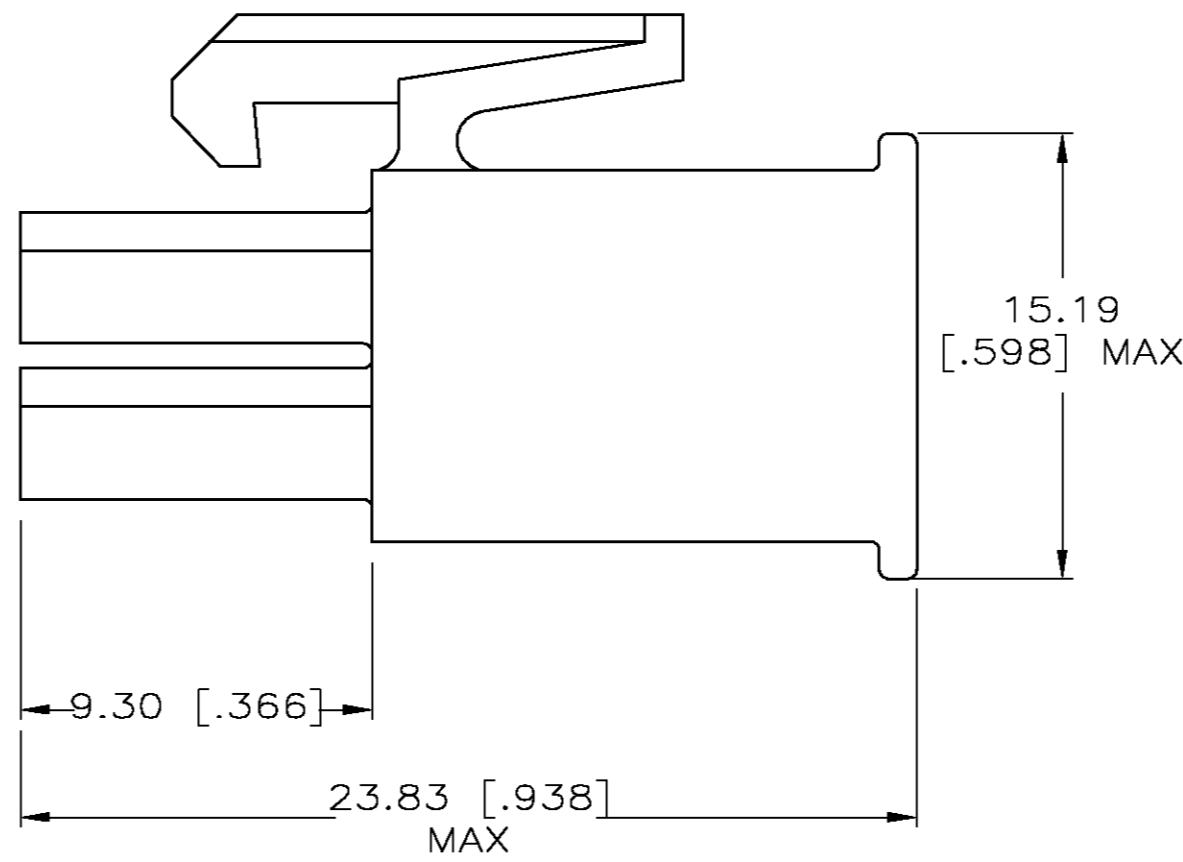
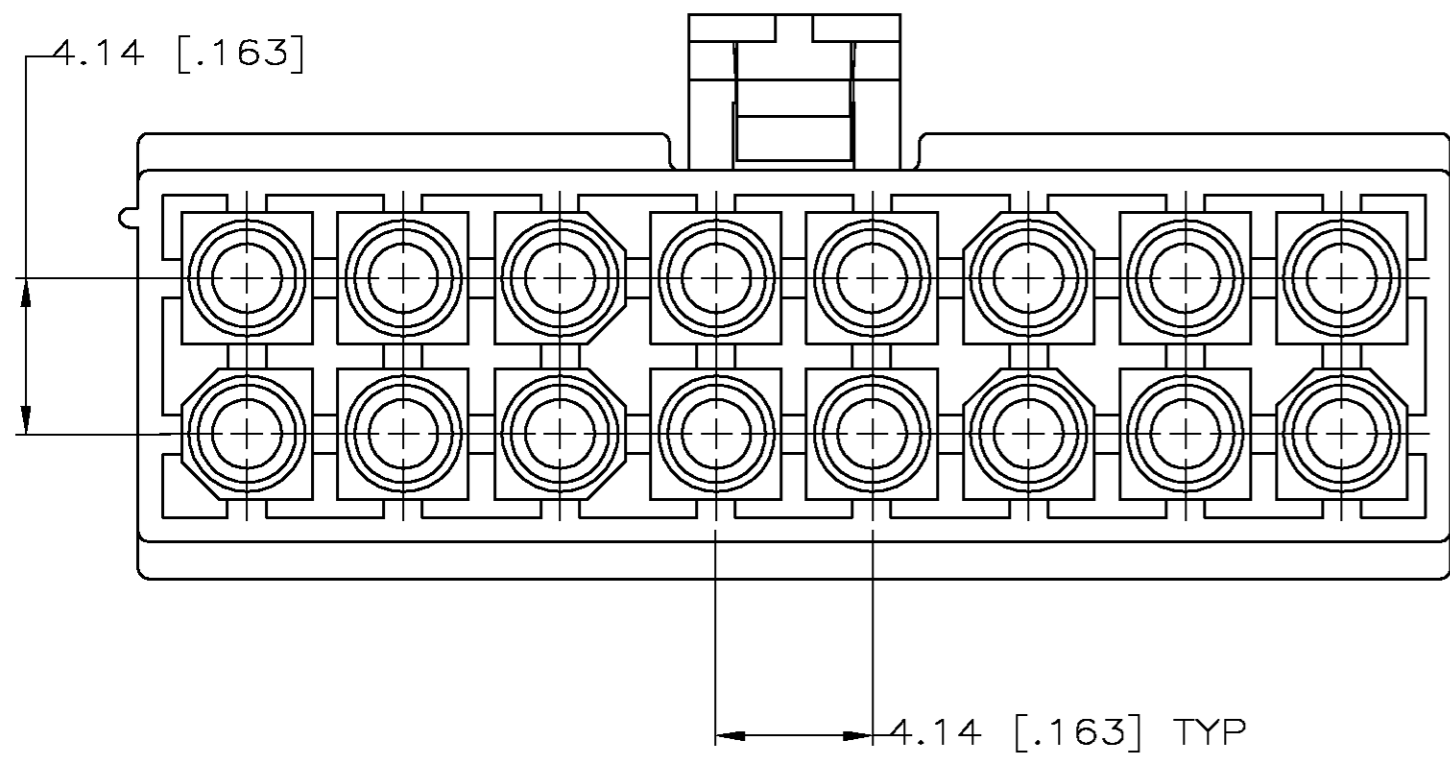


THIS DRAWING IS UNPUBLISHED. RELEASED FOR PUBLICATION  
 © COPYRIGHT BY TYCO ELECTRONICS CORPORATION. ALL RIGHTS RESERVED.

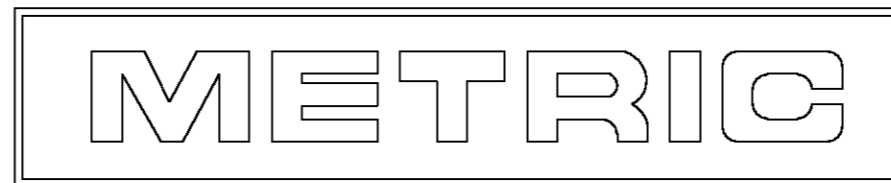
LOC	DIST	REVISIONS			
P	LTR	DESCRIPTION	DATE	DWN	APVD
CM	00	H	REVISED PER 0G3B-0960-04	22-NOV-04	KW CJ

1. INDIVIDUAL CORING FEATURES AROUND BASES OF SILOS MAY NOT BE PRESENT IN ALL LOCATIONS SHOWN.



770583

770583-1  
PART NUMBER



THIS DRAWING IS A CONTROLLED DOCUMENT.		DWN S. HOOVER 12-MAY-2004	<b>tyco</b> Electronics	Tyco Electronics Corporation Harrisburg, Pa 17105-3608	
DIMENSIONS: mm [INCHES]		CHK C. JONES 12-MAY-2004		NAME PLUG, 16 CIRCUIT, MINI UNIVERSAL MATE-N-LOK™	
TOLERANCES UNLESS OTHERWISE SPECIFIED:		APVD C. JONES 12-MAY-2004	PRODUCT SPEC		
0 PLC ±		APPLICATION SPEC			
1 PLC ±		SIZE A2			
2 PLC ±		CAGE CODE 00779			
3 PLC ± 0.13 [.005]		DRAWING NO C=770583			
4 PLC ±		RESTRICTED TO			
ANGLES ±		SCALE 5:1			
FINISH		SHEET 1 OF 1			
MATERIAL NYLON, UL 94V-0 WHITE		REV H			
CUSTOMER DRAWING		SCALE 5:1			